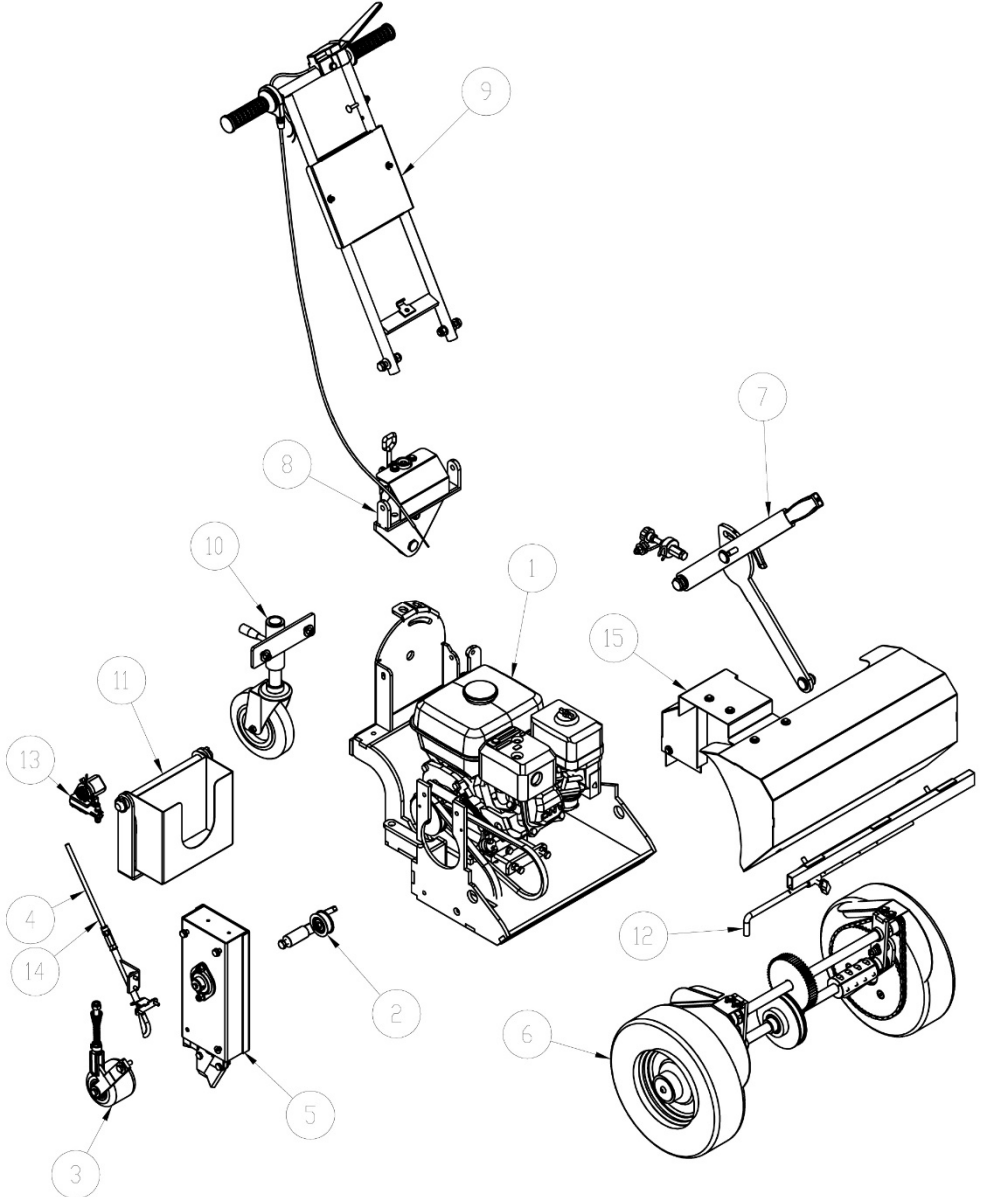
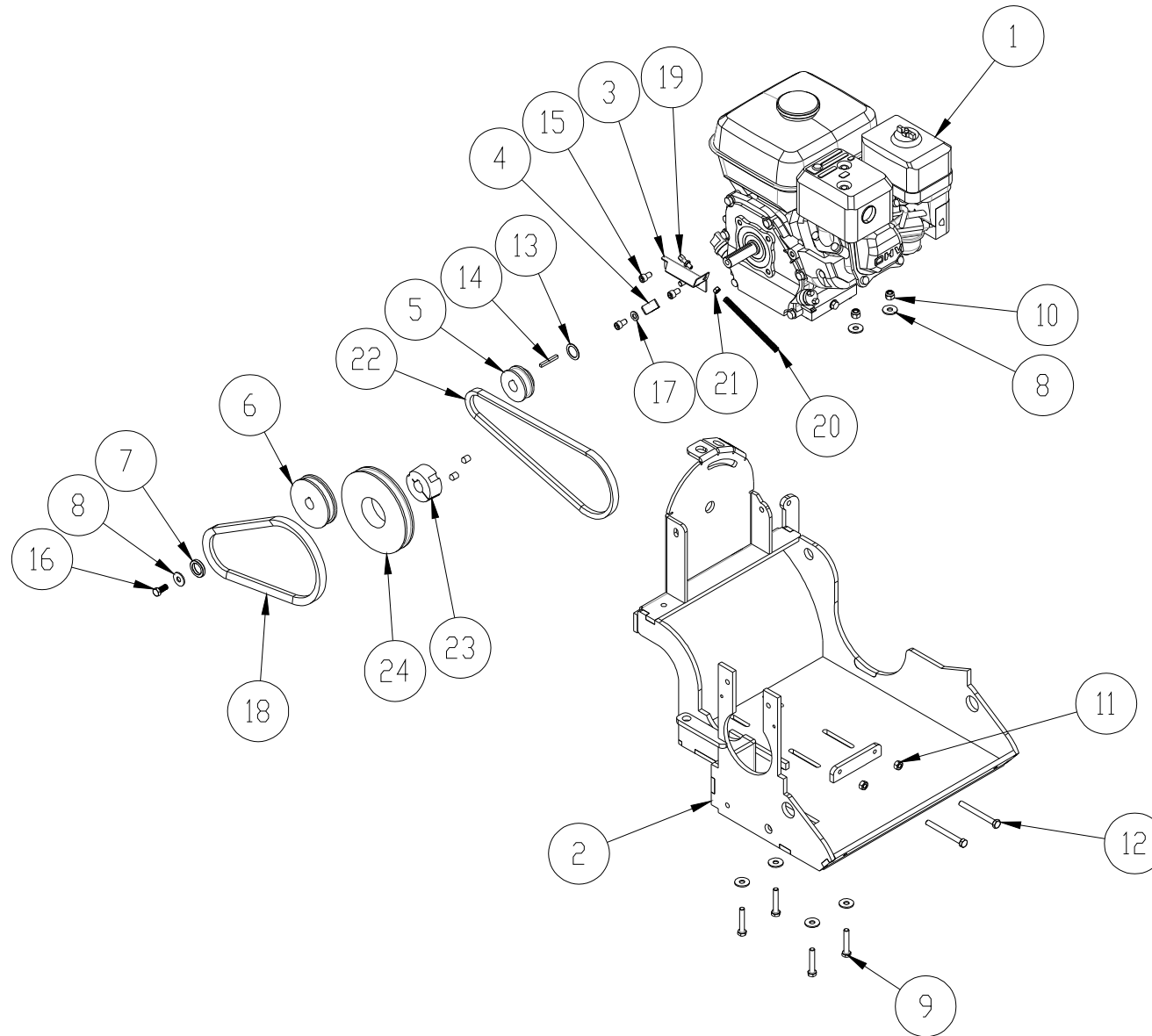


Tab.1 - Machine Assembly

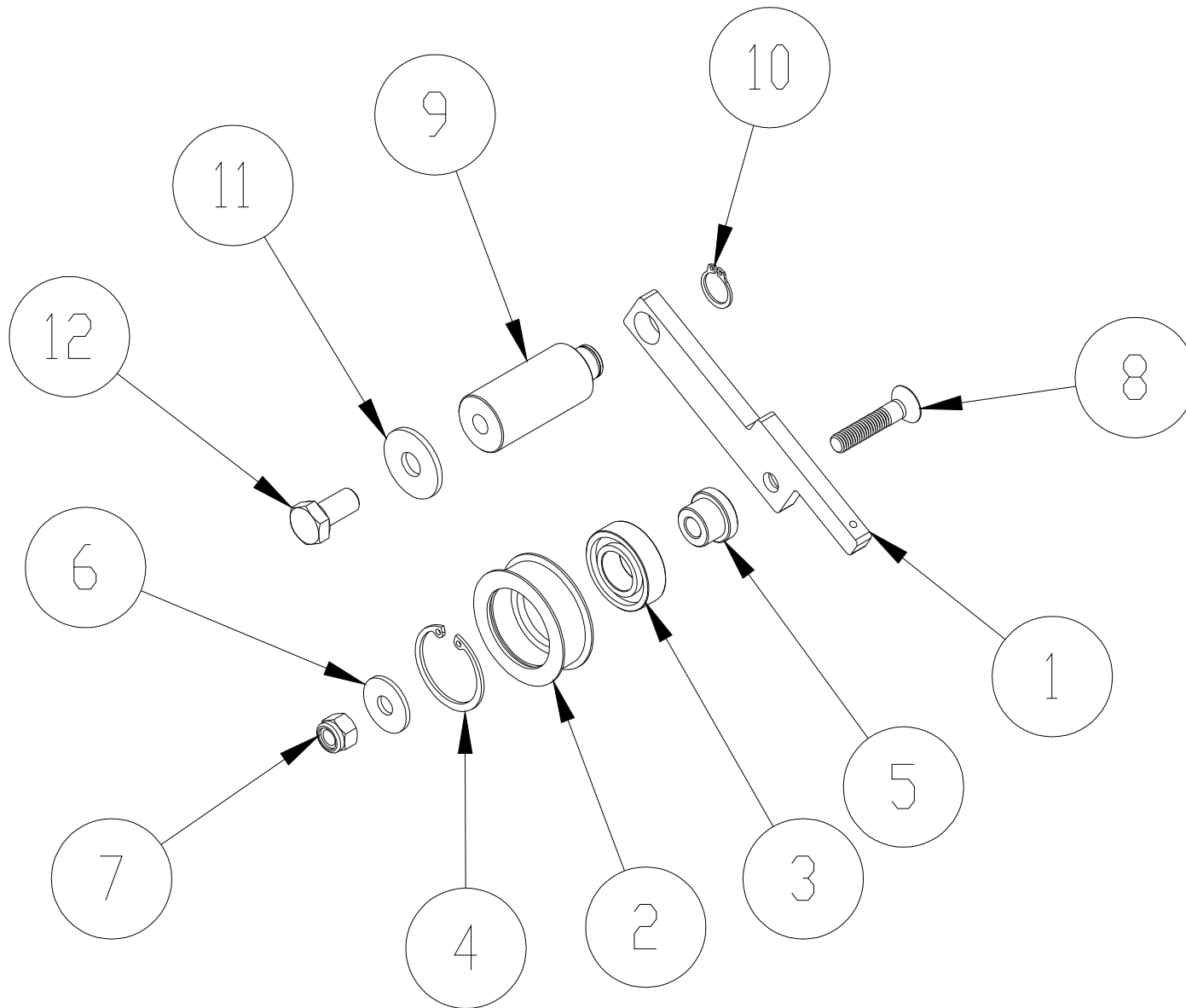


P.	Description	No.	Code
1	Engine Honda GX160	1	000797
2	Idler	1	000798
3	Closure wheel	1	000651
4	Mounting pipe	1	001219
5	Mechanism (without pulley)	1	001221
6	Self-propelled wheels	1	000800
7	Levers Assembly	1	000801
8	Support handle	1	000802
9	Handle	1	000803
10	Rear wheel	1	000831
11	Housing wire box	1	000805
12	Graduated rod	1	000833
13	Counter meter*	1	001283
14	Mounting pipe \varnothing 6mm	1	001242
15	Covers	1	000807

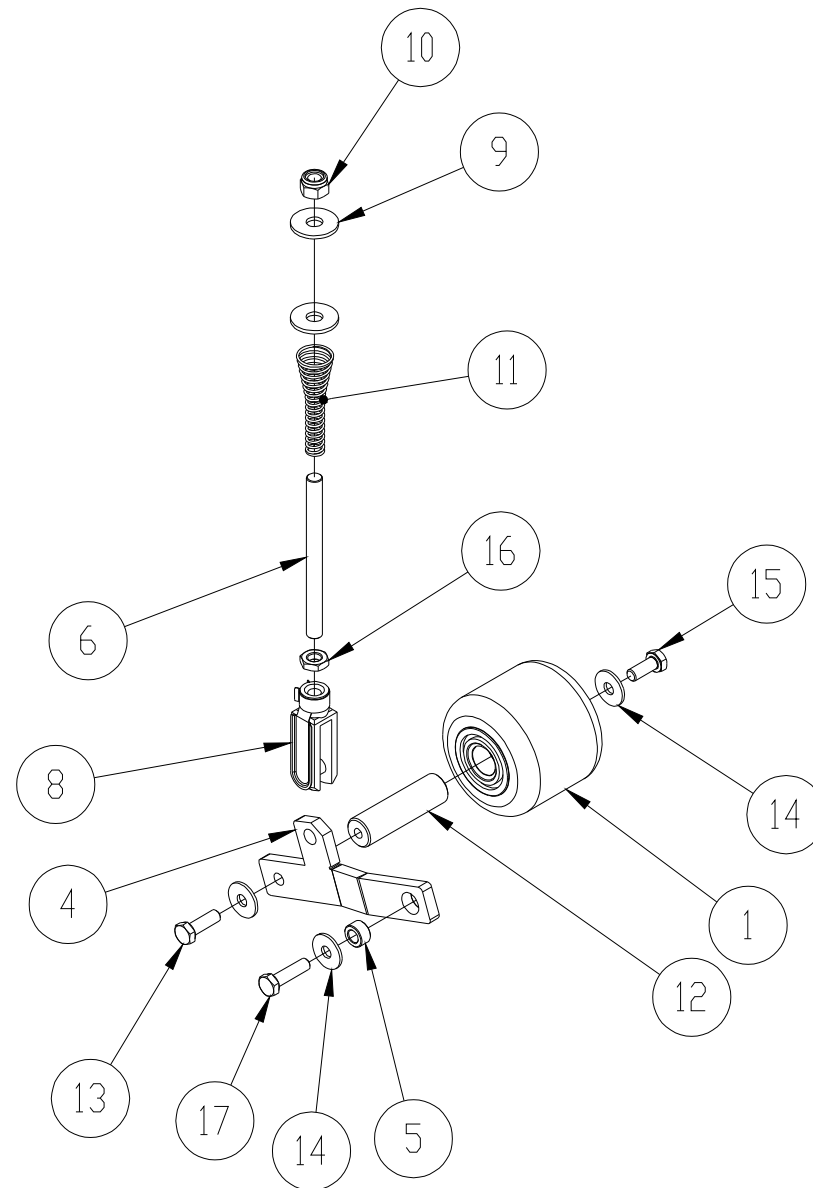
* Optional item



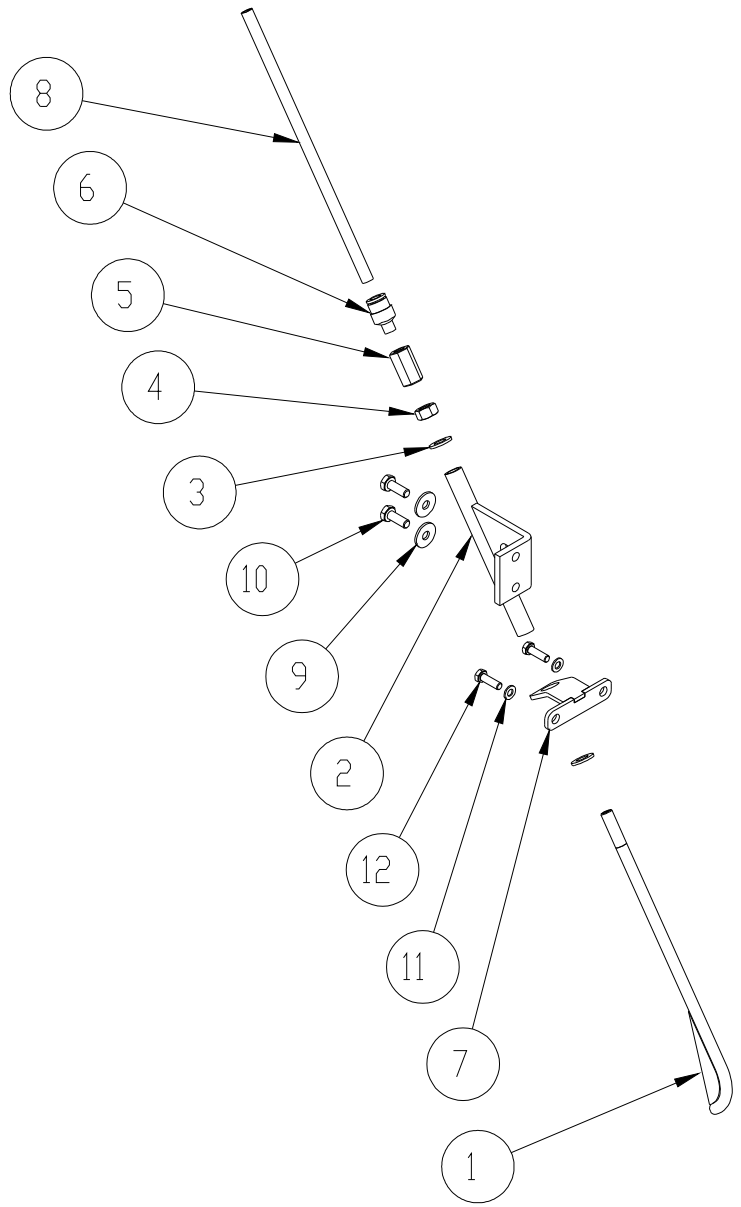
P.	Description	No.	Code
1	Engine Honda GX160	1	910190
2	Machine frame	1	000796
3	Belt drive Assembly	1	000709
4	Belt drive	1	000710
5	Pulley 1 SPA 50 (traction)	1	900548
6	Pulley 1 SPA 80	1	900608
7	Spacer	1	000668
8	Washer ø8x24 ZN UNI 6593 DIN 9021	9	8G00001
9	Bolt TE M8x45 TF Z	4	8V00081
10	Self-lock nut M8 ZN UNI 7473 DIN 982	4	8D00004
11	Nut M8 ZN UNI 5587	2	8D00010
12	Bolt TE M8x80 TF Z	2	8V00217
13	Thickness ø20x28x1 GR DIN 988	1	8S00013
14	Engine key 4.6x4.6	1	900379
15	Bolt TCE 5/16"x ½" UNF TF G	3	8V00210
16	Bolt TCE 5/16"x ¾" UNF TF G	1	8V00214
17	Washer ø8x16 ZN UNI 6592TE DIN 125A	1	8R00006
18	Belt A-25 (mechanism)	1	900604
19	Wire ø6 adjuster	1	910104
20	Spring	1	910105
21	High nut M6 ZN UNI 5587	1	900733
22	Belt A-29.5 (traction)	1	900531
23	Bush 1610 ø20	1	900546
24	Pulley 1A 140 1610	1	910301



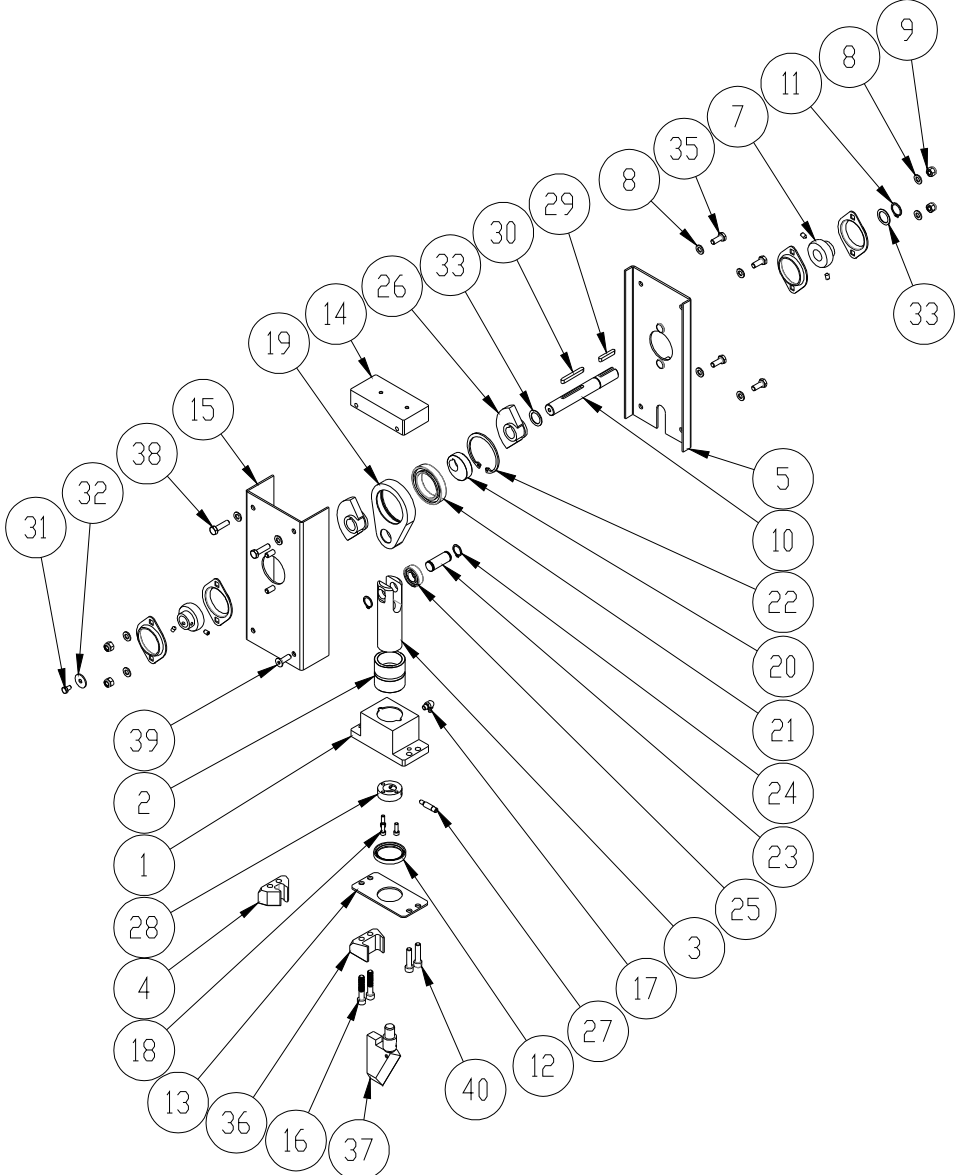
P.	Description	No.	Code
1	Lever	1	000690
2	Idler pulley	1	000691
3	Bearing 6003 2RS	1	900541
4	Seeger ring I-35	1	910435
5	Bush	1	000692
6	Washer \varnothing 8x24 ZA UNI 6593 DIN 9021	1	8G00001
7	Self-lock nut M8 ZN UNI 7473 DIN 983	1	8D00004
8	Bolt TPSEI M8x35 TF Z	1	8V00229
9	Idler pin	1	000812
10	Seeger ring E-14	1	900610
11	Washer \varnothing 10x30 ZN UNI 6593 DIN 9021	1	8G00005
12	Bolt TE M10x20 TF Z	1	8V00113



P.	Description	No.	Code
1	Wheel Assembly	1	900542
4	Lever	1	000693
5	Spacer	1	000694
6	Threaded rod	1	000695
8	Fork M10	1	900351
9	Washer \varnothing 10x30 ZN UNI 6593 DIN 9021	2	8G00005
10	Self-lock nut M10 ZN UNI 7473 DIN 982	1	8D00013
11	Spring	1	001554
12	Rod	1	001555
13	Bolt TE M8x25 TF Z	1	8V00077
14	Washer \varnothing 8x24 ZN UNI 6593 DIN 9021	3	8G00001
15	Bolt TE M8x20 TF Z	1	8V00029
16	Nut M10 (low) ZN UNI 5589 DIN 936	1	8D00032
17	Bolt TE M8x30 TF Z	1	8V00041



P.	Description	No.	Code
1	Wire drive pipe	1	000697
2	Pipe support Assembly	1	001220
3	Washer \varnothing 8x16 ZN UNI 6592TE DIN 125A	2	8R00006
4	Nut M8 CH 13x25 ZN	1	8D00010
5	Bracket nut M8	1	8D00041
6	Pipe mount M8	1	900611
7	Wire drive pipe 2 holes	1	001237
8	Polymer pipe \varnothing 8x1x200	1	001238
9	Washer \varnothing 6x18 ZN UNI 6593 DIN 9021	2	8G00003
10	Bolt TE M6x16 TF Z	2	8V00057
11	Washer \varnothing 6x12 ZN UNI 6592TE DIN 125A	2	8R00005
12	Bolt TE M6x10 TF Z	2	8V00197



Tab.6 - Mechanism Assembly

DROP-IN 6

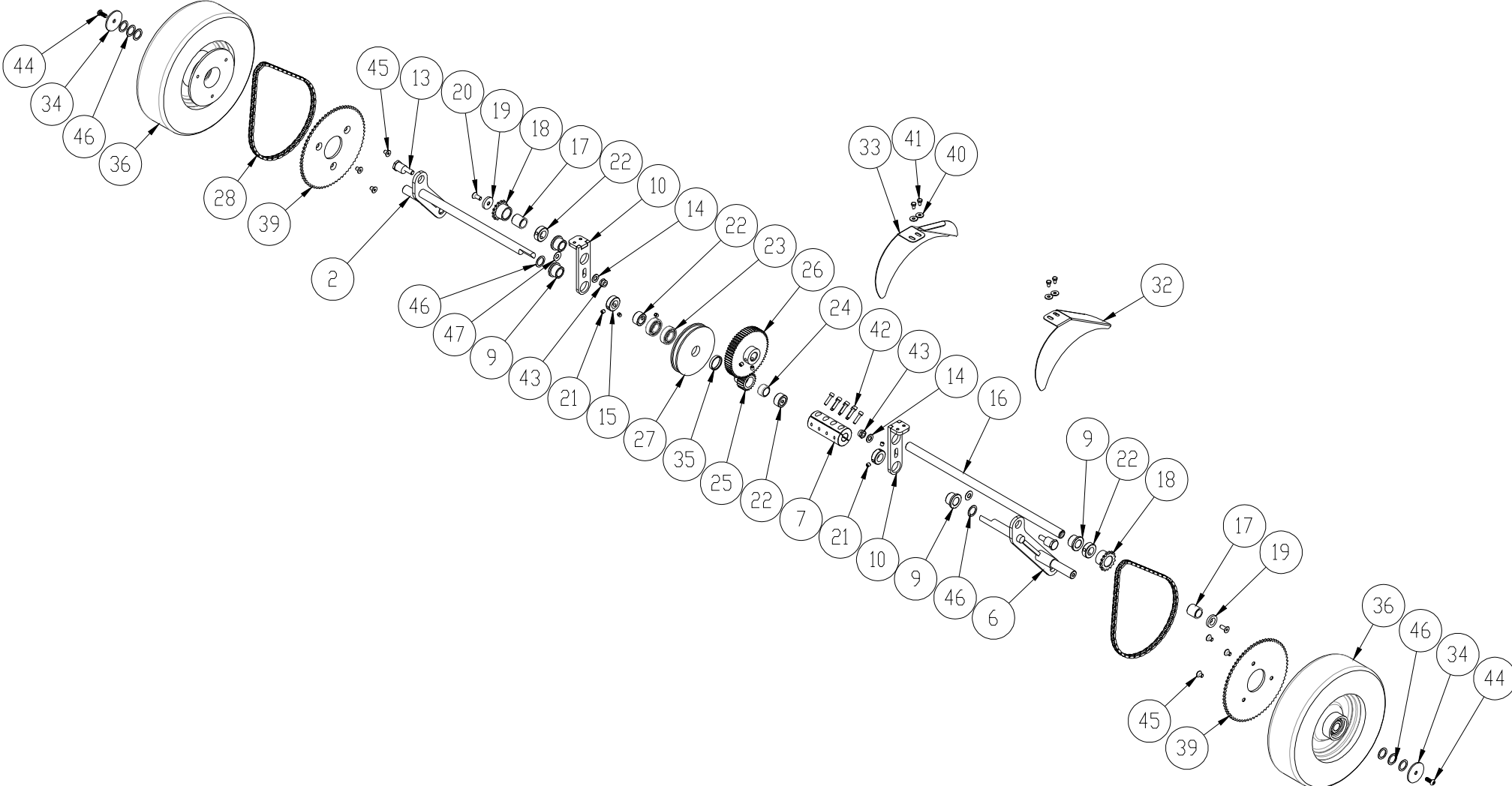
P.	Description	No.	Code
1	Motion block drive	1	001222
2	Bronze bush $\varnothing 40 \times 50 \times 50$	1	001230
3	Rod $\varnothing 40$	1	001223
4	Blade drive*	1	001241
5	Box cover	1	001226
7	Bearing unit YAT 204	2	910106
8	Washer $\varnothing 8 \times 16$ ZN UNI 6592TE DIN 125A	10	8R00006
9	Self-lock nut M8 ZN UNI 7473 DIN 982	4	8D00004
10	Shaft	1	000706
11	Seeger ring E-20	1	900350
12	Sealing ring $\varnothing 40 \times 52$	1	900875
13	Box cover (bottom)	1	001227
14	Plug	1	001228
15	Box casing	1	001229
16	Bolt TCE M8x45 PF Z	2	8V00071
17	Greaser M6x1 90° UNI 7663/C	1	900872
18	Bolt TCE M5x15 TF Z	3	8V00221
19	Bearing support	1	000611
20	Cam hole d.20	1	000699
21	Bearing 61909 Z	1	900507
22	Seeger ring I-68	1	900342
23	Rod $\varnothing 17$	1	001231
24	Seeger ring E-17	2	900090
25	Bearing 63003 2RS	1	900506
26	Compensator	2	001328
27	Blade bolt	1	001236
28	Blade locking	1	001234
29	Key 6x6x35	1	910062
30	Key 6x6x50	1	900870
31	Bolt TE M6x10 TF Z	1	8V00197
32	Washer $\varnothing 6 \times 24$ ZN UNI 6593 DIN 9021	1	8G00004
33	Thickness $\varnothing 20 \times 28 \times 1$ GR DIN 988	2	8S00013
35	Bolt TE M8x20 TF Z	4	8V00029
36	Blade drive (standard)	1	001225
37	Blade 12 mm (standard)		001224
	Blade 10 mm*	1	001309
	Blade 15 mm*		001310
38	Vite TE M8x30 TF Z	1	8V00041
39	Vite TPSEI M8x25 TF G	1	8V00050

P.	Description	No.	Code
40	Bolt TCE M8x35 TF Z	2	8V00225

* Optional item

Tab.7 - Self-propelled wheels

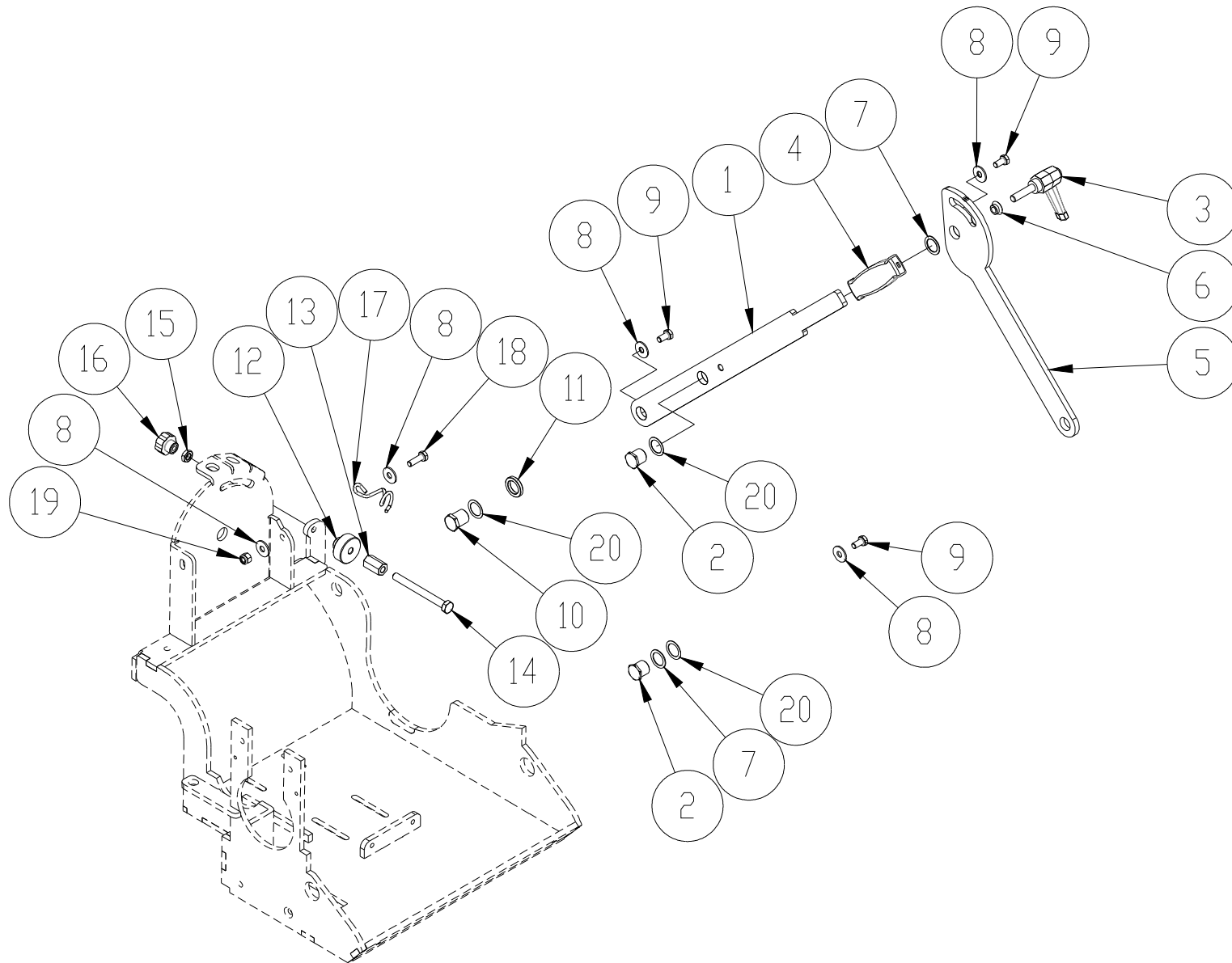
DROP-IN 6



P.	Description	No.	Code
2	Wheel support Assembly	1	000813
6	Wheel support lever Assy	1	000814
7	Decomposable clamp	1	000815
9	Bush with collar ø20	4	000655
10	Support shaft Assembly	2	000816
13	Pin with eccentric	2	000817
14	Washer ø10x20 ZN UNI 6592TE DIN 125A	2	8R00007
15	Lock	2	000818
16	Rod	1	000819
17	Bearing HFL-2026	2	900536
18	Pinion Z-14	2	001239
19	Lock washer ø24x9x5	2	000821
20	Bolt TPSEI M8x20 TF Z	2	8V00013
21	Dowel M8x12	8	900612
22	Lock	4	000674
23	Bearing 6004 */**	2	900537
24	Bearing 26-20-16 */**	1	900614
25	Gear Z-20*	1	000822
26	Gear Z-60	1	000823
27	Pulley 1 SPA 118*	1	000682
28	Chain 3/8" 42 1/2"	2	900876
32	Left cover wheel	1	000824
33	Right cover wheel	1	000825
34	Washer ø45x3	2	000826
35	Spacer ø35x30x6*	1	001625
36	Wheel 4.10/3.50-6	2	900533
39	Crown 3/8" Z-76	2	001240
40	Washer ø6x18 ZN UNI 6593 DIN 9021	4	8G00003
41	Bolt TE M6x10 TF Z	4	8V00197
42	Bolt TCE M6x25 TF Z	8	8V00201
43	Self-lock nut low M10 ZN UNI 7474 DIN 985	2	8D00008
44	Bolt TBEI M8x20 TF Z	2	8V00149
45	Bolt TPSEI M8x12 TF Z	6	8V00205
46	Thickness ø20x28x1 GR DIN 988	8	8S00013
47	Belleville washer ø10	2	900315

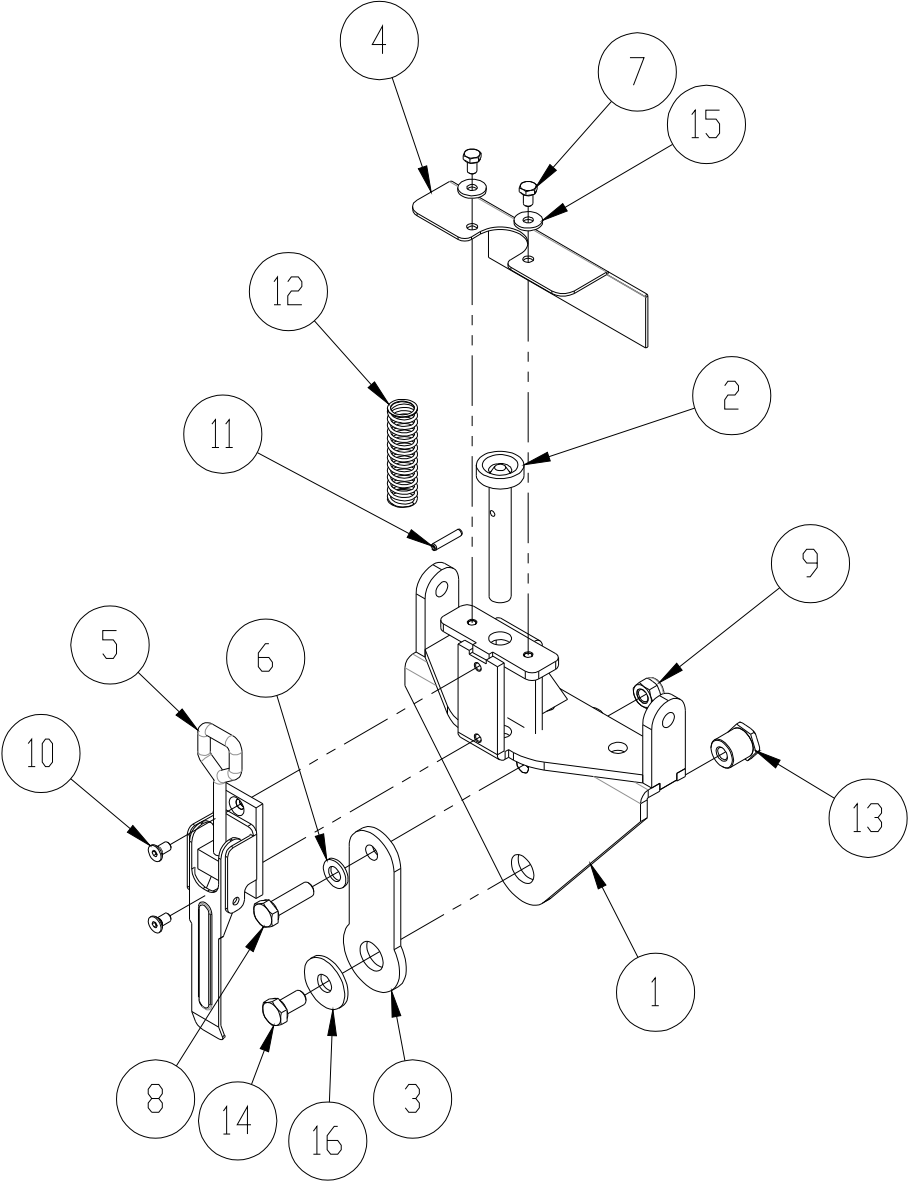
* Supplied in kit code 001362

** Available separately



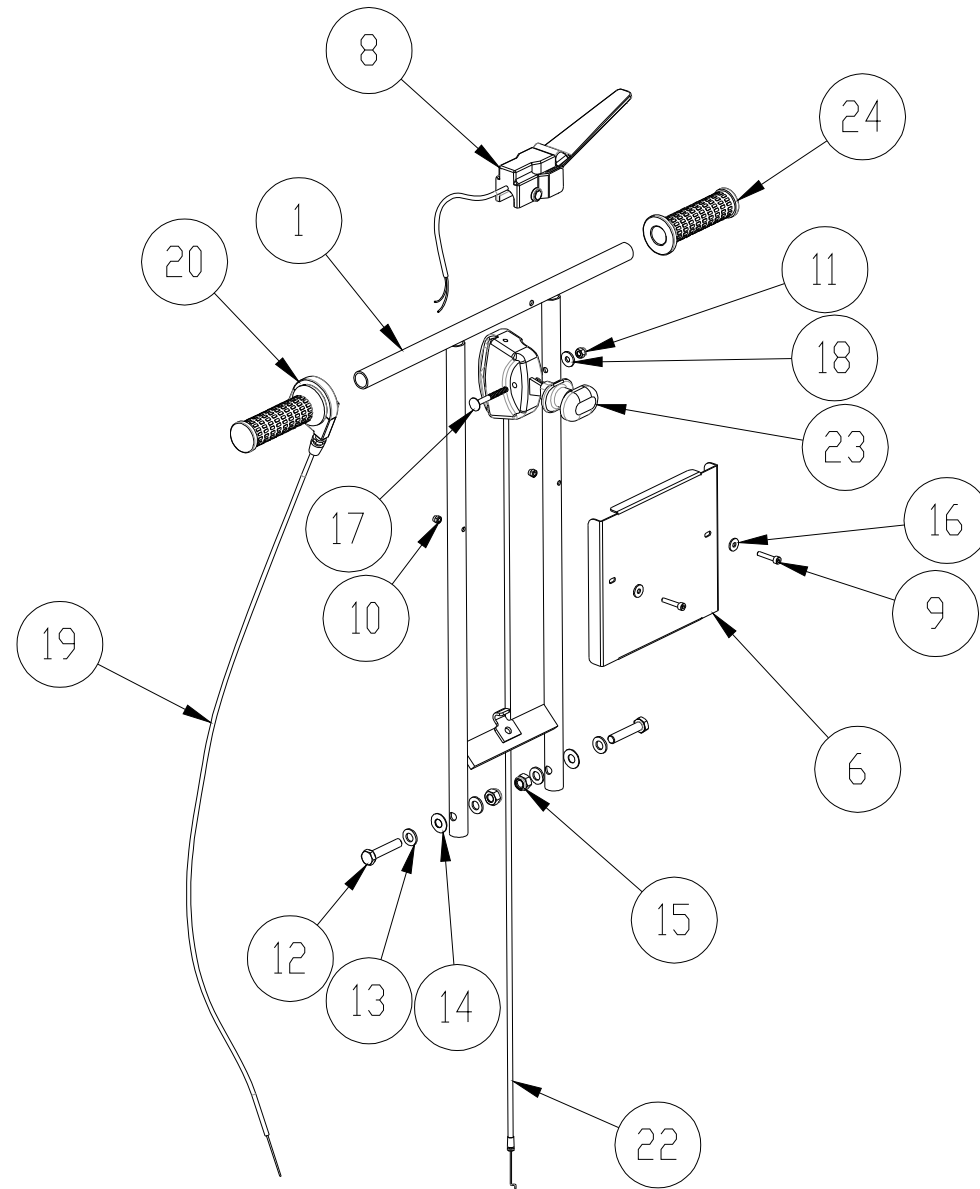
P.	Description	No.	Code
1	Wheel adjustment lever L	1	000810
2	Articulation pin (Short)	2	000666
3	Adjustable handle M10x20	1	910559
4	Hand grip 25x8	1	900009
5	Wheel adjustment lever	1	000809
6	Bush come-shaped \varnothing 10	1	910077
7	Thickness \varnothing 20x28x1 GR DIN 988	2	8S00013
8	Washer \varnothing 8x24 ZN UNI 6593 DIN 9021	5	8G00001
9	Bolt TE M8x16 TF Z	3	8V00133
10	Articulation pin (Long)	1	000667
11	Spacer	1	000668
12	Aluminium knob M10 F	1	910079
13	Extension nut M10x30	1	910080
14	Bolt TE M10x100 TF Z	1	8V00233
15	Nut M10 low ZN UNI 5589 DIN 936	1	8D00032
16	Knob M10 F	1	900358
17	Spring	1	001499
18	Bolt TE M8x25 TF Z	1	8V00077
19	Self-lock nut M8 ZN UNI 7473 DIN 982	1	8D00004
20	Thickness \varnothing 20x28x0,5 GR DIN 988	3	8S00012

Tab.9 - Support handle



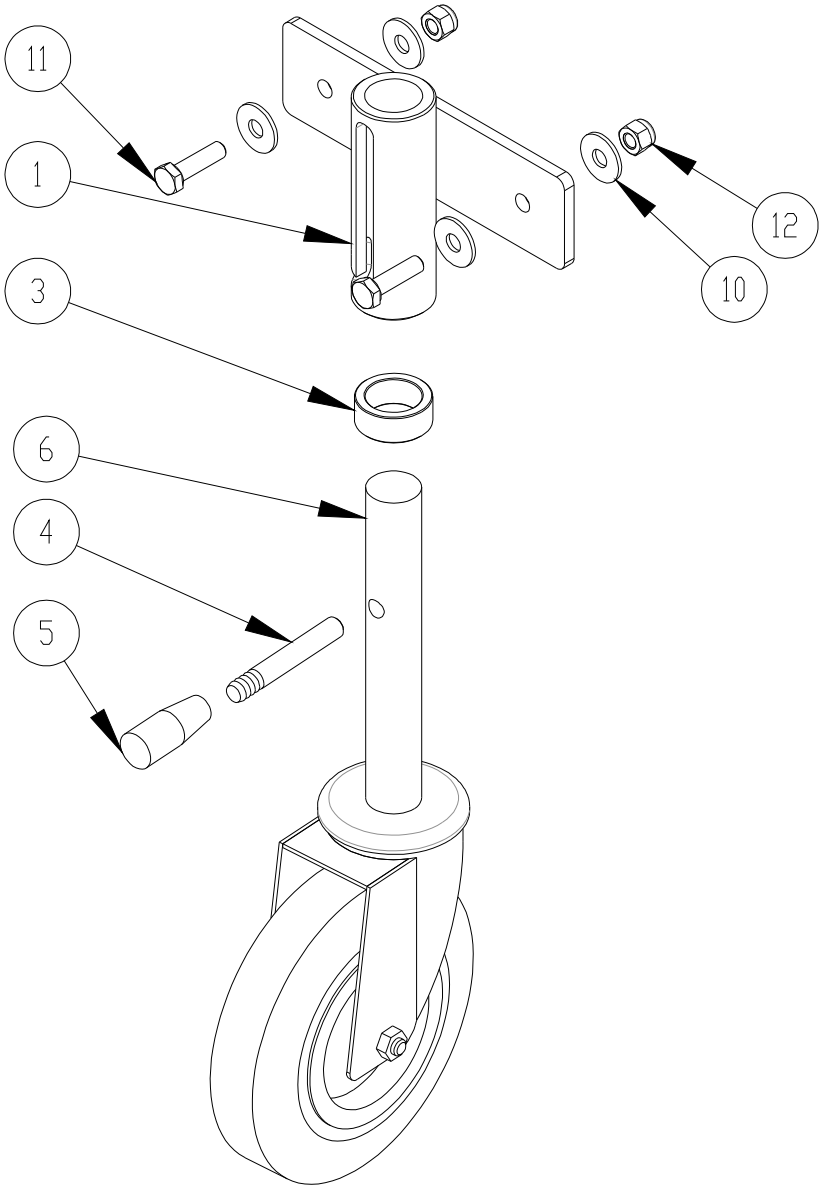
P.	Description	No.	Code
1	Revolving handle support	1	000834
2	Revolving handle support rod	1	000835
3	Mobile plate	1	000837
4	Cover	1	000838
5	Lever hook	1	900618
6	Washer \varnothing 10x20 ZN UNI 6592TE DIN 125A	2	8R00007
7	Bolt TE M6x10 TF Z	2	8V00197
8	Bolt TE M10x35 TF Z	1	8V00237
9	Self-lock nut M10 low ZN UNI 7474 DIN 985	1	8D00008
10	Bolt TPSEI M6x12 TF G	2	8V00242
11	Elastic pin	1	900500
12	Spring	1	900619
13	Articulation pin	1	000836
14	Bolt TE M10x20 TF Z	1	8V00113
15	Washer \varnothing 6x18 ZN UNI 6593 DIN 9021	2	8G00003
16	Washer \varnothing 10x30 ZN UNI 6593 DIN 9021	1	8G00005

Tab.10 - Handle



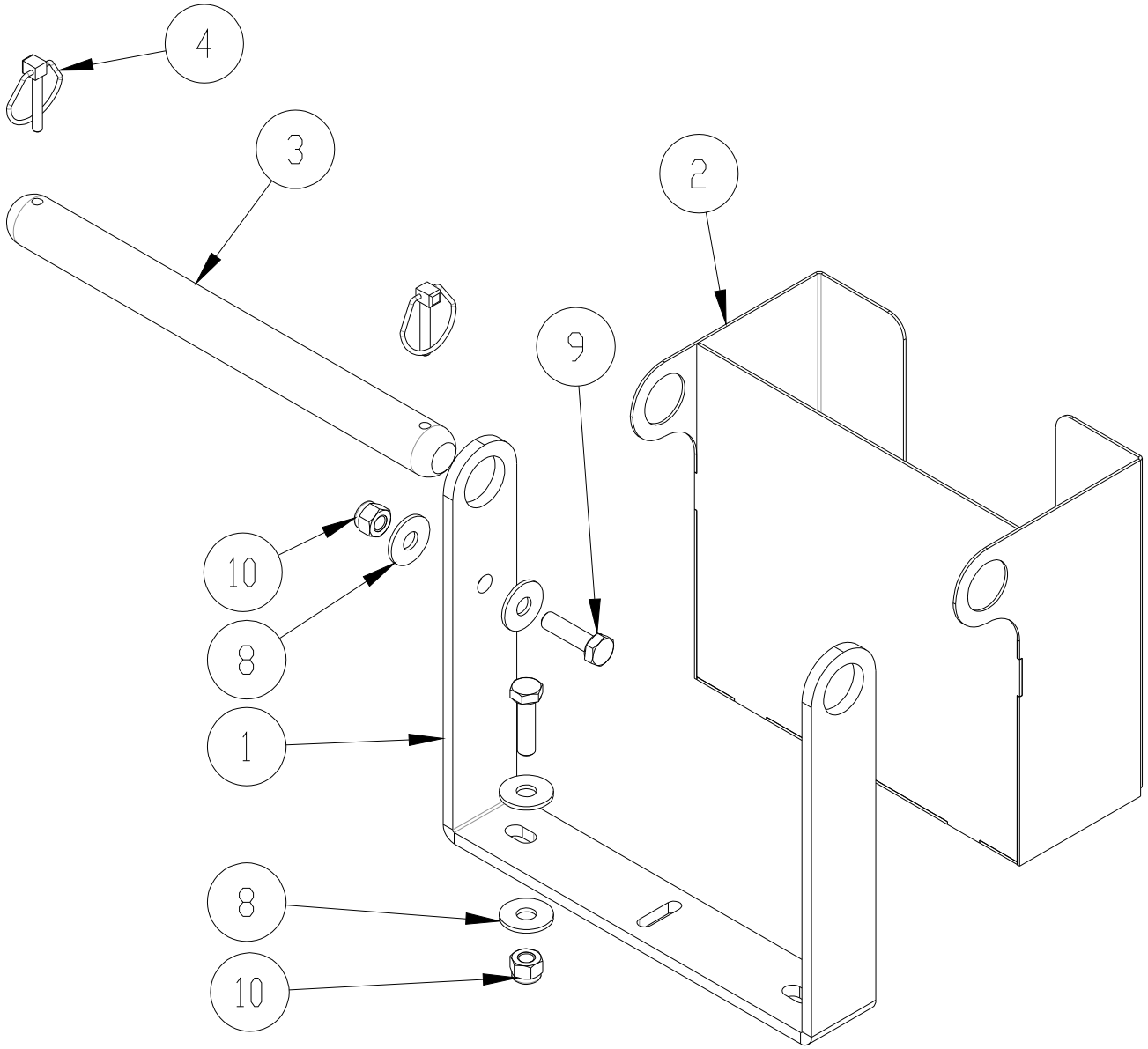
P.	Description	No.	Code
1	Handle	1	000828
6	Handle cover	1	000829
8	Safety lever	1	900554
9	Bolt TCE M5x30 TF Z	2	8V00101
10	Self-lock nut M5 ZN UNI 7473 DIN 982	2	8D00002
11	Self-lock nut M6 ZN UNI 7473 DIN 982	1	8D00003
12	Bolt TE M10x50 TF Z	2	8V00121
13	Washer ø10x20 ZN UNI 6592TE DIN 125A	4	8R00007
14	Belleville washer ø10	2	900315
15	Self-lock nut M10 ZN UNI 7473 DIN 982	2	8D00013
16	Washer ø5x15 ZN UNI 6593 DIN 9021	2	8G00006
17	Bolt square neck M6x55	1	910148
18	Washer ø6x18 ZN UNI 6593 DIN 9021	1	8G00003
19	Domino rapid cable Assy	1	900979
20	Domino rapid Assembly	1	900616
22	Throttle cable Assy	1	900988
23	Throttle lever	1	900877
24	Hand grip ø22	1	910465

Tab.11 - Rear wheel



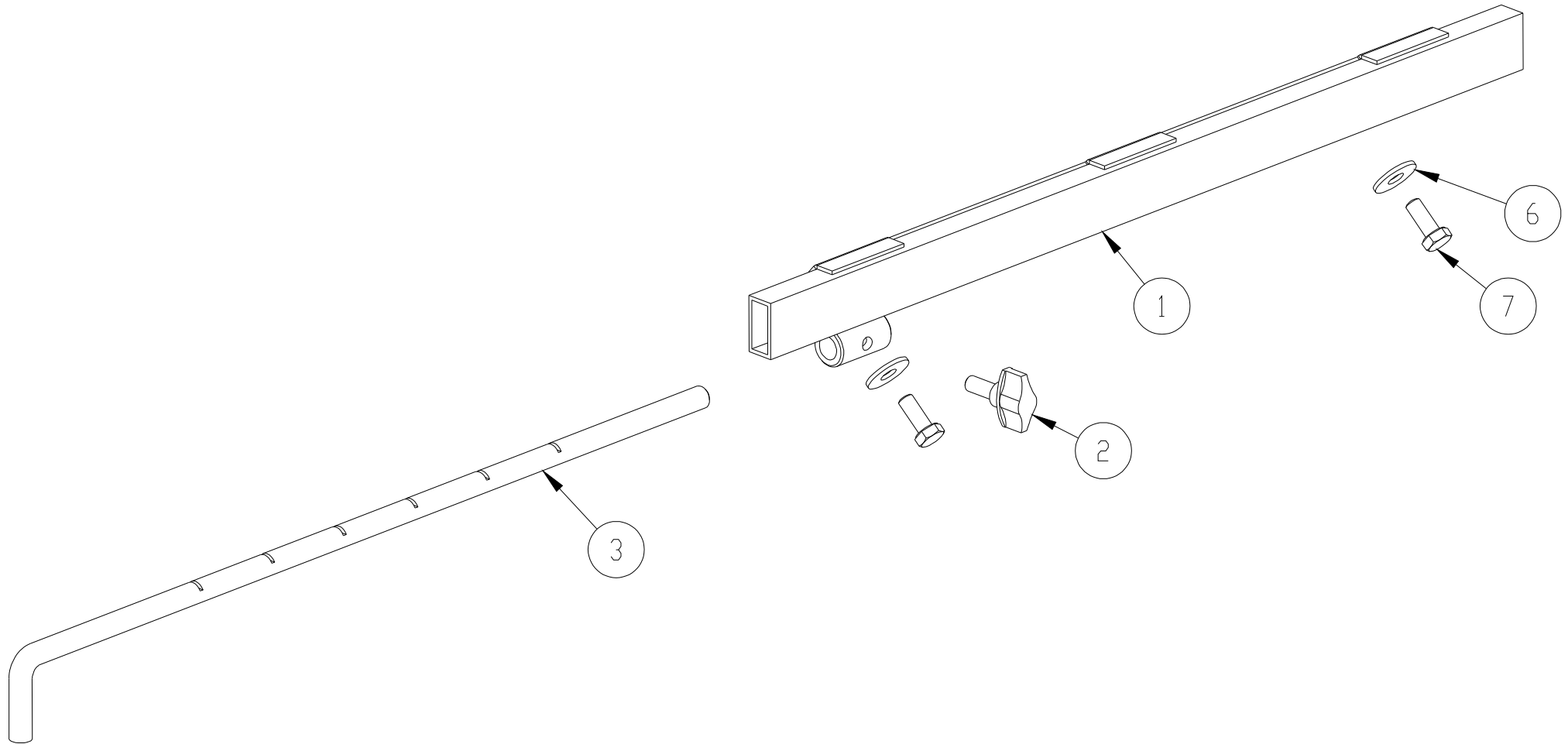
P.	Description	No.	Code
1	Revolving wheel support	1	000804
3	Spacer	1	000839
4	Rear wheel adjustment lever	1	000840
5	Hand grip	1	900620
6	Revolving wheel	1	000665
10	Washer \varnothing 8x24 ZN UNI 6593 DIN 9021	4	8G00001
11	Bolt TE M8x30 TF Z	2	8V00041
12	Self-lock nut M8 ZN UNI 7473 DIN 982	2	8D00004

Tab.12 - Housing wire box

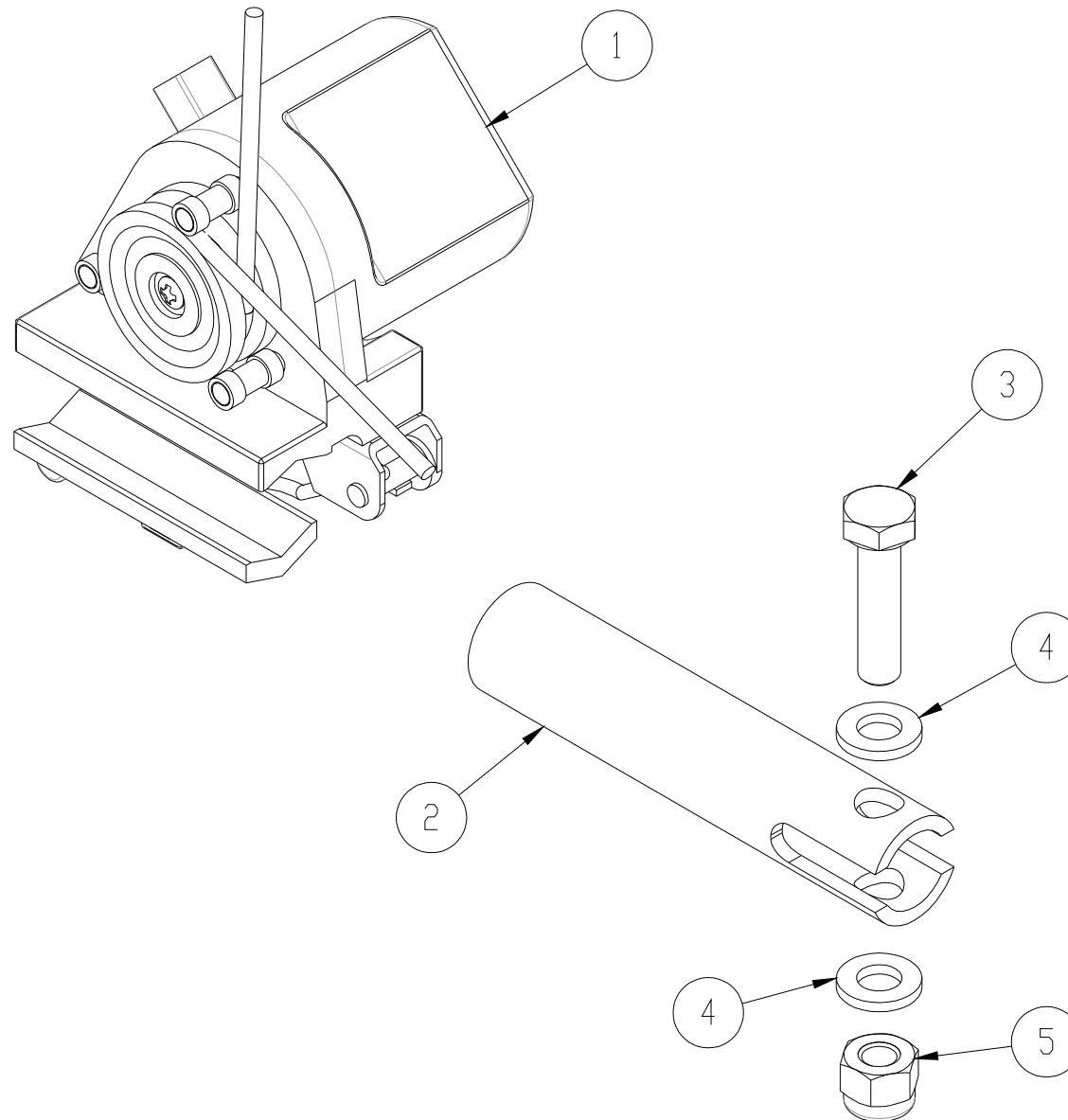


P.	Description	No.	Code
1	Clamp	1	000841
2	Wire box*	1	000842
3	Wood rod	1	000843
4	Split pin	2	900033
8	Washer ø8x24 ZN UNI 6593 DIN 9021	4	8G00001
9	Bolt TE M8x30 TF Z	2	8V00041
10	Self-lock nut M8 ZN UNI 7473 DIN 982	2	8D00004

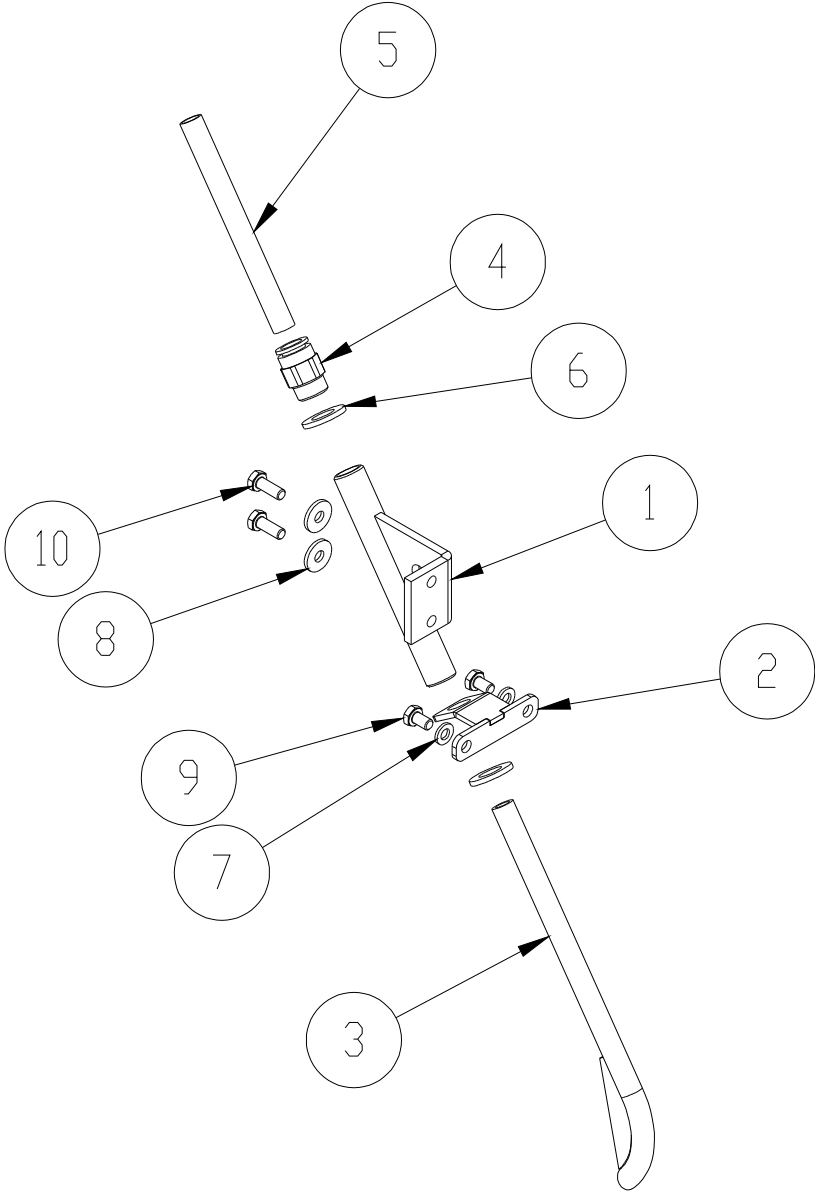
* Optional item



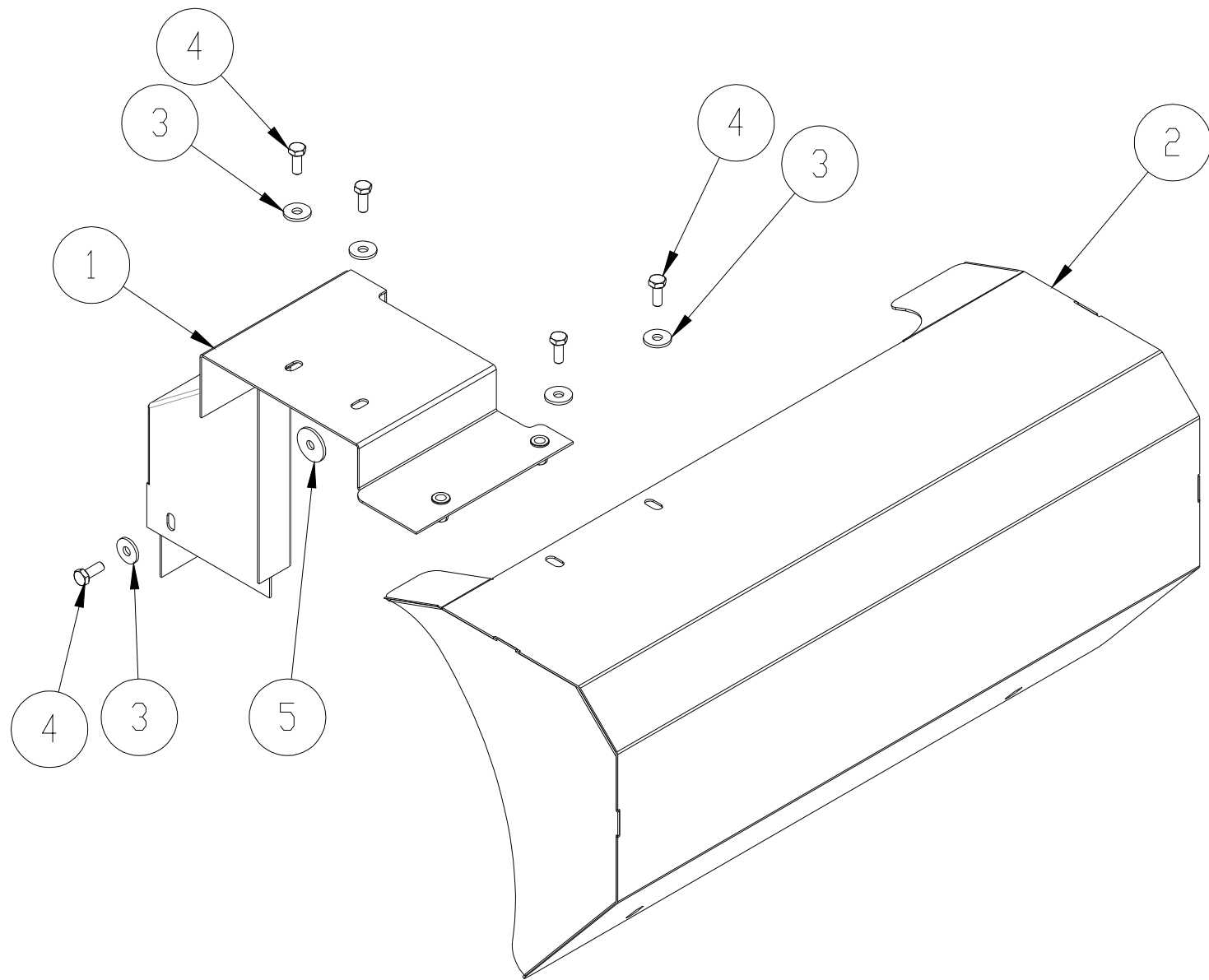
P.	Description	No.	Code
1	Tubular rod support	1	000806
2	Wing nut	1	900040
3	Graduated rod	1	000808
6	Washer $\varnothing 8 \times 24$ ZN UNI 6593 DIN 9021	2	8G00001
7	Bolt TE M8x20 TF Z	2	8V00029



P.	Description	No.	Code
1	Counter meter	1	900900
2	Pipe	1	001284
3	Bolt TE M6x25 TF Z	1	8V00245
4	Washer ø6x12 ZN UNI 6592TE DIN 125A	2	8R00005
5	Self-lock nut M6 low ZN UNI 7473 DIN 982	1	8D00039



P.	Description	No.	Code
1	Support pipe Assembly	1	001243
2	Wire drive pipe (bent)	1	001244
3	Wire drive pipe	1	001103
4	Pipe mount	1	900761
5	Polymer pipe	1	001106
6	Washer \varnothing 12x24 ZN UNI 6592TE DIN 125A	2	8R00008
7	Washer \varnothing 6x12 ZN UNI 6592TE DIN 125A	2	8R00005
8	Washer \varnothing 6x18 ZN UNI 6593 DIN 9021	2	8G00003
9	Bolt TE M6x10 TF Z	2	8V00197
10	Bolt TE M6x16 TF Z	2	8V00057



P.	Description	No.	Code
1	Side cover	1	000660
2	Front cover	1	000832
3	Washer \varnothing 6x18 ZN UNI 6593 DIN 9021	5	8G00003
4	Bolt TE M6x16 TF Z	5	8V00057
5	Washer \varnothing 6x24 ZN UNI 6593 DIN 9021	1	8G00004

